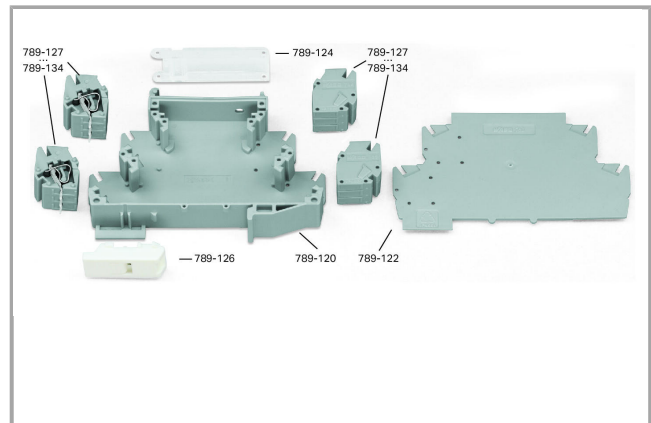
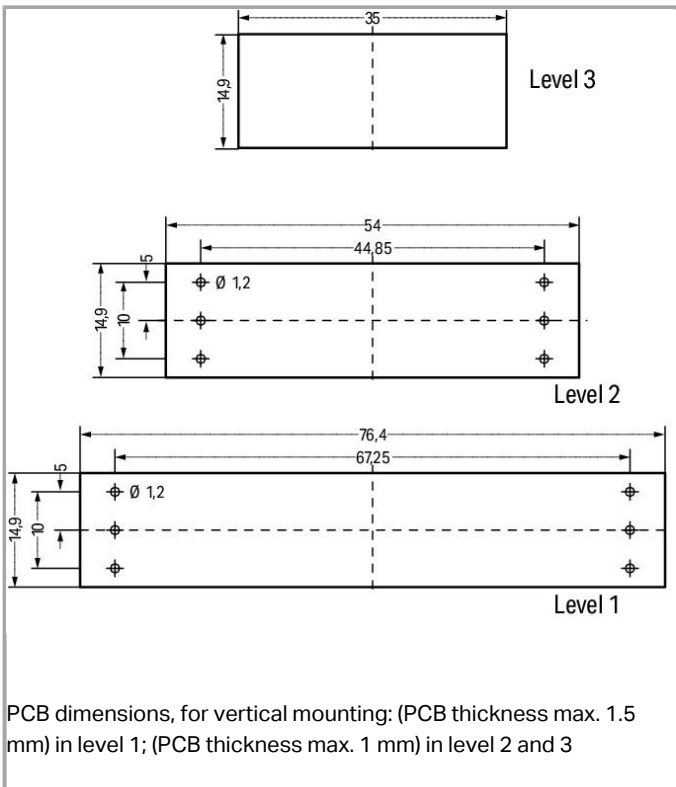
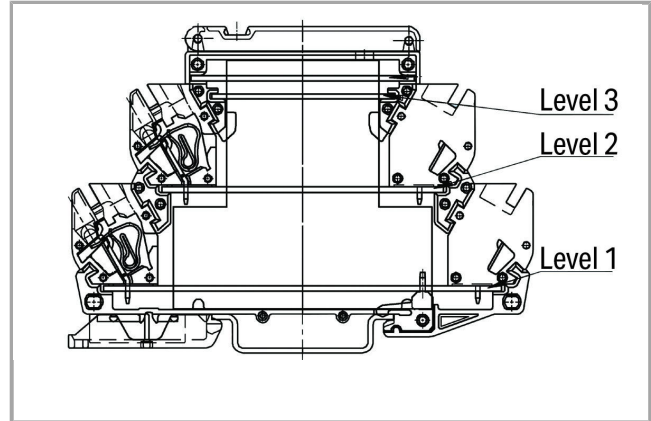
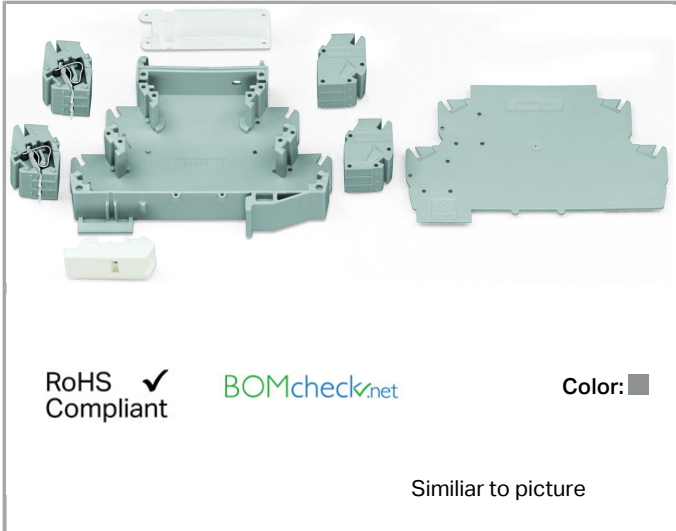


Data sheet | Item number: 789-132
 PCB terminal block; 2.5 mm²; Pin spacing 5 mm



789-132



Item description

Universal modular component housing, as DIN-rail-mount enclosure – terminal block, 3-pole: OOO*

(*C = with clamping spring; O = without clamping spring; enclosure open on the right side)

Data

Connection data

No. of poles	3
Connections (number)	1

Mechanical data

Housing design	DIN-rail-mount enclosure
Suitable	For 789-120

Material Data





Color	gray
Fire load	0.057 MJ
Weight	1.9 g

Commercial data

Product Group	6 (Interface Electronics)
Country of origin	DE
GTIN	4044918112949
Customs Tariff No.	85369010000

Compatible products

ferrule

	Item no.: 216-241 Ferrule; Sleeve for 0.5 mm ² / 20 AWG; insulated; electro-tin plated; electrolytic copper; gastight crimped; acc. to DIN 46228, Part 4/09.90	216-241
	Item no.: 216-242 Ferrule; Sleeve for 0.75 mm ² / 18 AWG; insulated; electro-tin plated; electrolytic copper; gastight crimped; acc. to DIN 46228, Part 4/09.90	216-242
	Item no.: 216-243 Ferrule; Sleeve for 1 mm ² / AWG 18; insulated; electro-tin plated; electrolytic copper; gastight crimped; acc. to DIN 46228, Part 4/09.90	216-243
	Item no.: 216-244 Ferrule; Sleeve for 1.5 mm ² / AWG 16; insulated; electro-tin plated; electrolytic copper; gastight crimped; acc. to DIN 46228, Part 4/09.90	216-244

General accessories

	Item no.: 789-120 Housing 55 mm	789-120
--	---	---------



Downloads

Documentation

Additional Information

Disposal; Electrical and electronic equipment, Packaging	V 1.0.0	pdf 265.8 kB	Download
--	---------	-----------------	----------

CAD/CAE - Smart Data

CAD data

3D Download 789-132	URL	Download
---------------------	-----	----------

Subject to changes.
